

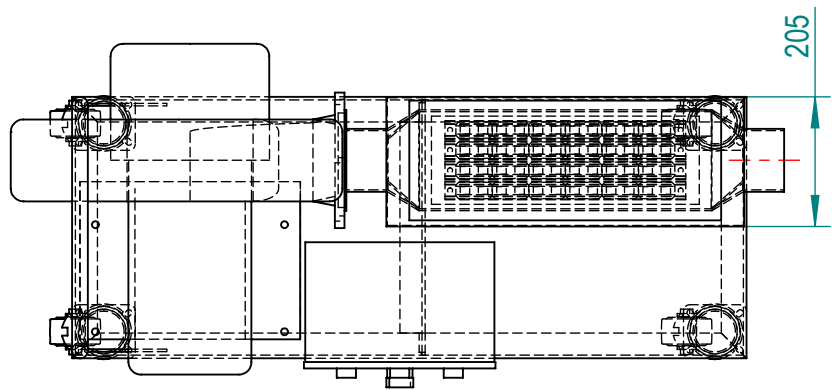
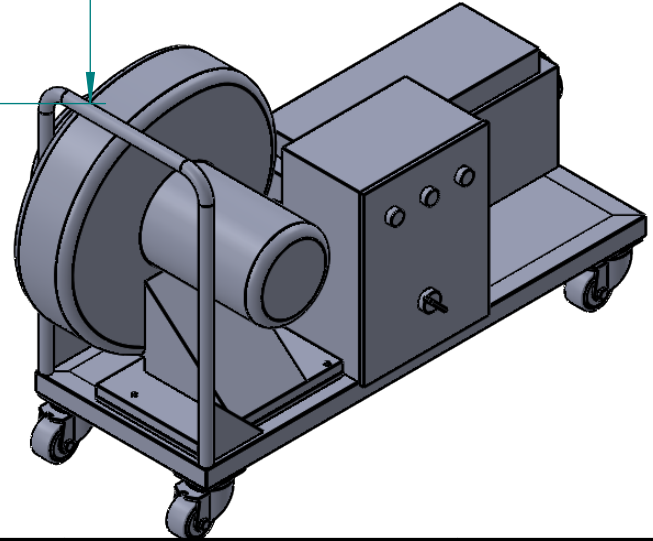
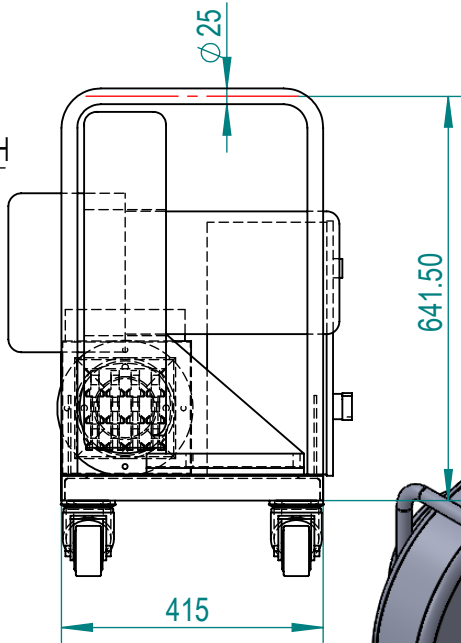
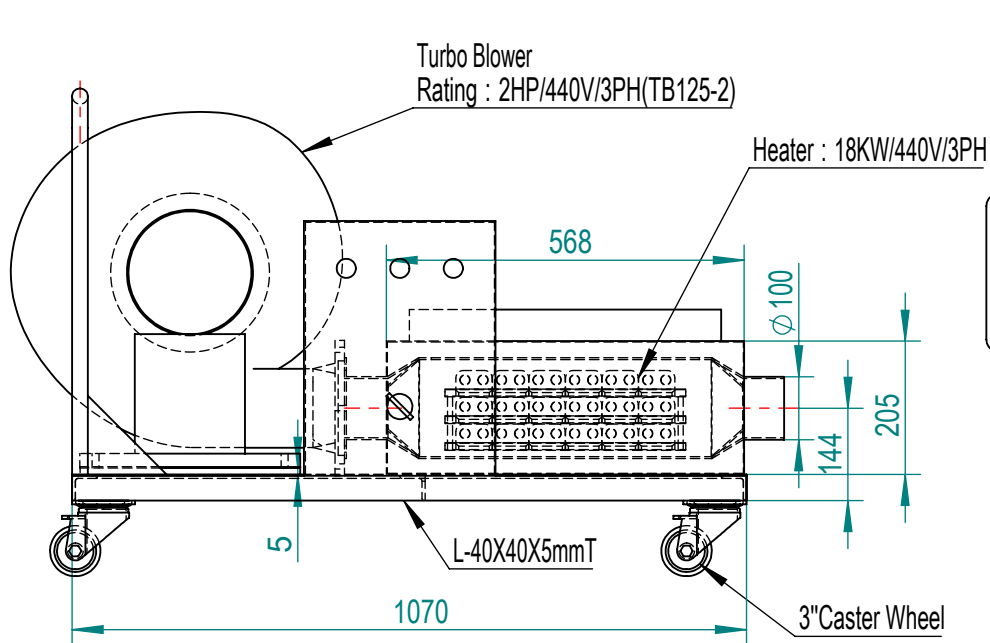
Hot Air Blower


Hot Air Blower, Electric: Model 18KW/2HP

Our Hot air blower is built for industrial applications and easy to integrate into industrial processes. It is controlled by type k thermocouple sensor connected to a control panel with digital PID controller. All models feature our heavy- duty welded construction and simple, user-friendly controls. This model is not suitable for heating flammable or combustible materials or for installation in electrically hazardous locations.

Specifications:

S/N	Item	Description
1	Application	Industrial Heating / Drying
2	Operating Temperature	50°C - 150°C
3	Construction/ Features	Welded, 1.5mmT Galvanized Steel/Electro Galvanized Steel
		IP 55 terminal cover
		Flange outlet
		Insulated Exterior
4	Finish	EG sheet with Epoxy Paint (Grey RAL 106)
6	Heat Source & Capacity	Electric Ceramic heaters provide years of trouble- free service.
		18 KW
7	Blower Motor	Centrifugal Blower Motor (CE Cert), 20m ³ /min @ 2.0kpa
8	Controls	Single set-point temperature controller and Type K thermocouple
		IP65 Enclosure with disconnect switch.
		Controls are wired to Singapore Code of practice for electrical installation
10	Electrical Requirements	Voltage: 400V/3/50-60Hz
		Disconnect: 32 Amps
11	Shipping & Installation	Ships completely assembled with castor wheels and stopper. Shipping weight:72 kgs.
12	Quality Assurance	Each unit comes complete with a (1) years warranty and is fully assembled, wired, and tested prior to shipment.



 JIN GANG ELECTRIC HEATERS MFY PTE LTD				DO NOT SCALE DRAWING		REVISION 1A	
				Material: Mild Steel		QTY: 1Unit	
	NAME	SIGNATURE	DATE	TITLE: <h2 style="text-align: center;">Hot Air Blower (18KW)</h2>			
DRAWN	JiaWei	JW	18/06				
CHK'D	Ying	Ying	18/06				
APPV'D	Ying	Ying	18/06				
MFG							
Q.A				DWG NO.		JG-42562021-M02	